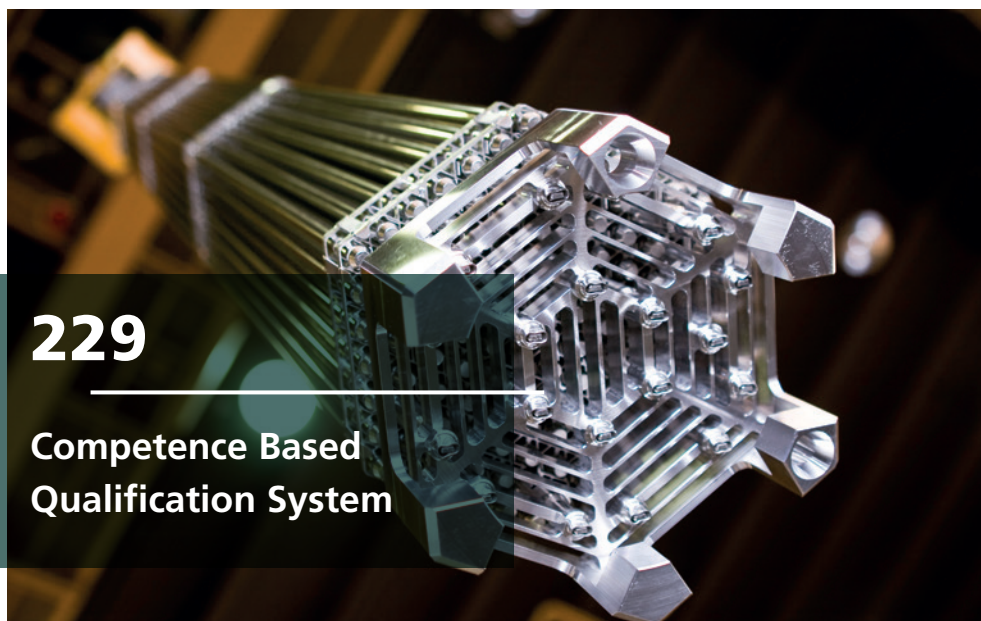


# Issue 4

April



## 229

### Competence Based Qualification System

| Fuel element for the CAREM reactor, a 25 MWe pilot unit planned and under construction in Argentina. (Courtesy: CNEA)

#### Editorial

Between the Disasters . . . . . 219  
 Zwischen den Katastrophen . . . . . 220

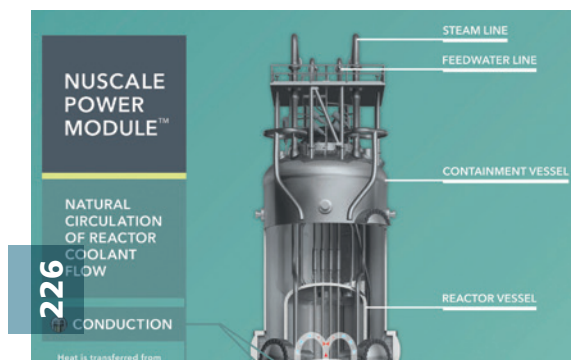
Abstracts | English . . . . . 224  
 Abstracts | German . . . . . 225

#### Calendar . . . . . 228

#### Energy Policy, Economy and Law

Developing Competence Based Qualification System in the Nuclear Energy Sector . . . . . 229

Mihail Ceclan

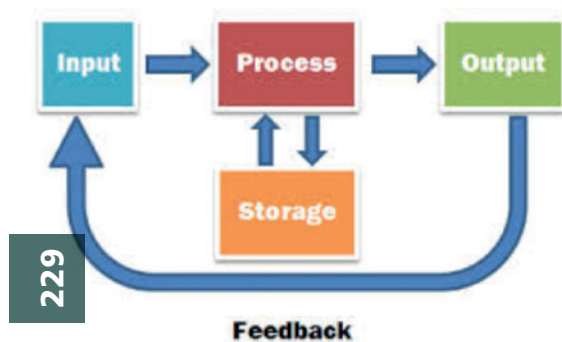


| Example for a small modular reactor (SMR) concept: The NuScale Power Module™

#### Inside Nuclear with NucNet

Challenge for SMRs is to Find 'The Right Economic Model' . . . . . 226

NucNet



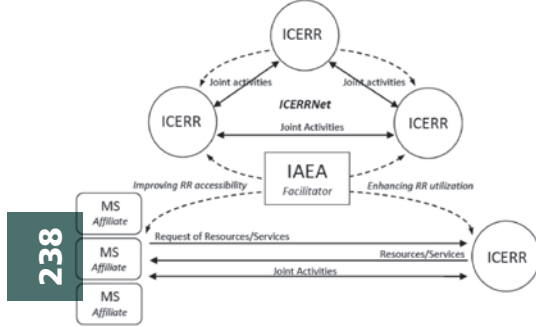
| The model of the European Nuclear Energy Labor Market.

IAEA Designated International Centre Based on Research Reactors (ICERR) . . . . . 238

Andrea Borio di Tigliole, Edward Bradley, Mikhail Khoroshev, Frances Marshall, Charles Morris and Sandor Tozser

#### DAfT Notes . . . . . 240

IAEA designated International Centre based on Research Reactor (ICERR) Scheme



International Centre Based on Research Reactor (ICERR).

**Spotlight on Nuclear Law**

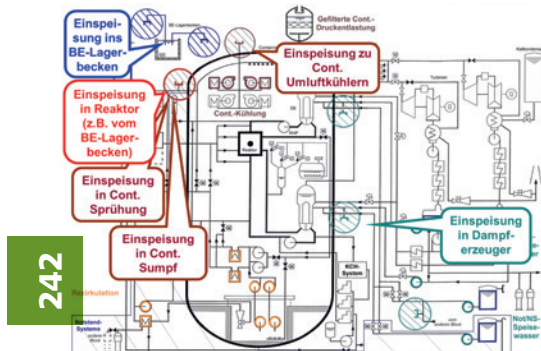
The Countdown is Running: The 'Endlagerkommission' on the Finishing Straight . . . . . 241  
 Der Countdown läuft:  
 Die Endlagerkommission auf der Zielgeraden? . . . . . 241

Ulrike Feldmann

**Environment and Safety**

Emergency Concepts for the Safety Level Four . . . . . 242  
 Notfallkonzepte der Sicherheitsebene Vier . . . . . 242

Martin Richner

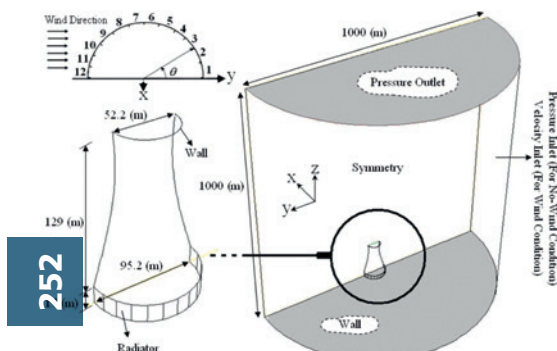


Important connection pipes for fire brigade service pumps at nuclear power plant Beznau.

**Operation and New Build**

Heat Transfer Enhancement in a Natural Draft Dry Cooling Tower Under Crosswind Operation with Heterogeneous Water Distribution . . . . . 252

Mohsen Goodarzi and Hossein Amoie

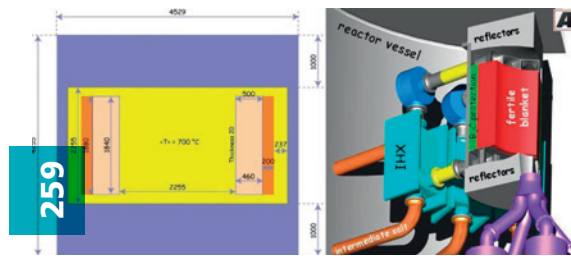


The problem's domain, geometry, and boundary conditions.

**Research and Innovation**

Partitioning and Transmutation of Transuranium Elements Under Nuclear Phase-out Conditions – Technically Reliable? . . . . . 259  
 Transmutation von Transuranen unter den Randbedingungen des Kernenergieausstiegs – Technisch machbar? . . . . . 259

Bruno Merk and Ulrich Rohde



Schematic view of the Evaluation and Viability of Liquid Fuel Fast Reactor System.

**KTG Inside . . . . . 269**

**Statistics**

Nuclear Power Plants:  
 2015 atw Compact Statistics . . . . . 271

Editorial

**News . . . . . 275**

**Nuclear Today**

Big Ambitions for Small Reactors as Investors Size Up Power Options . . . . . 282

John Shepherd

Imprint . . . . . 256

AiNT: Consulting und Seminarprogramm . . . . .Insert  
 AMNT 2016: Registration Form. . . . .Insert